

**SINGER**  
**4622N403/4622AN503/93234**

# LIST OF PARTS

## *Sewing Machine Models*

4622N403

4622AN503

93234

From the library of: Diamond Needle Corp

by **SINGER**\*



A Publication of Product Support  
International Group Engineering

Part No.317161-037A

Printed in Taiwan

® a Registered Trademark of The Singer Company Limited  
Copyright 1998, Singer Sewing Machine Company

All rights reserved throughout the world

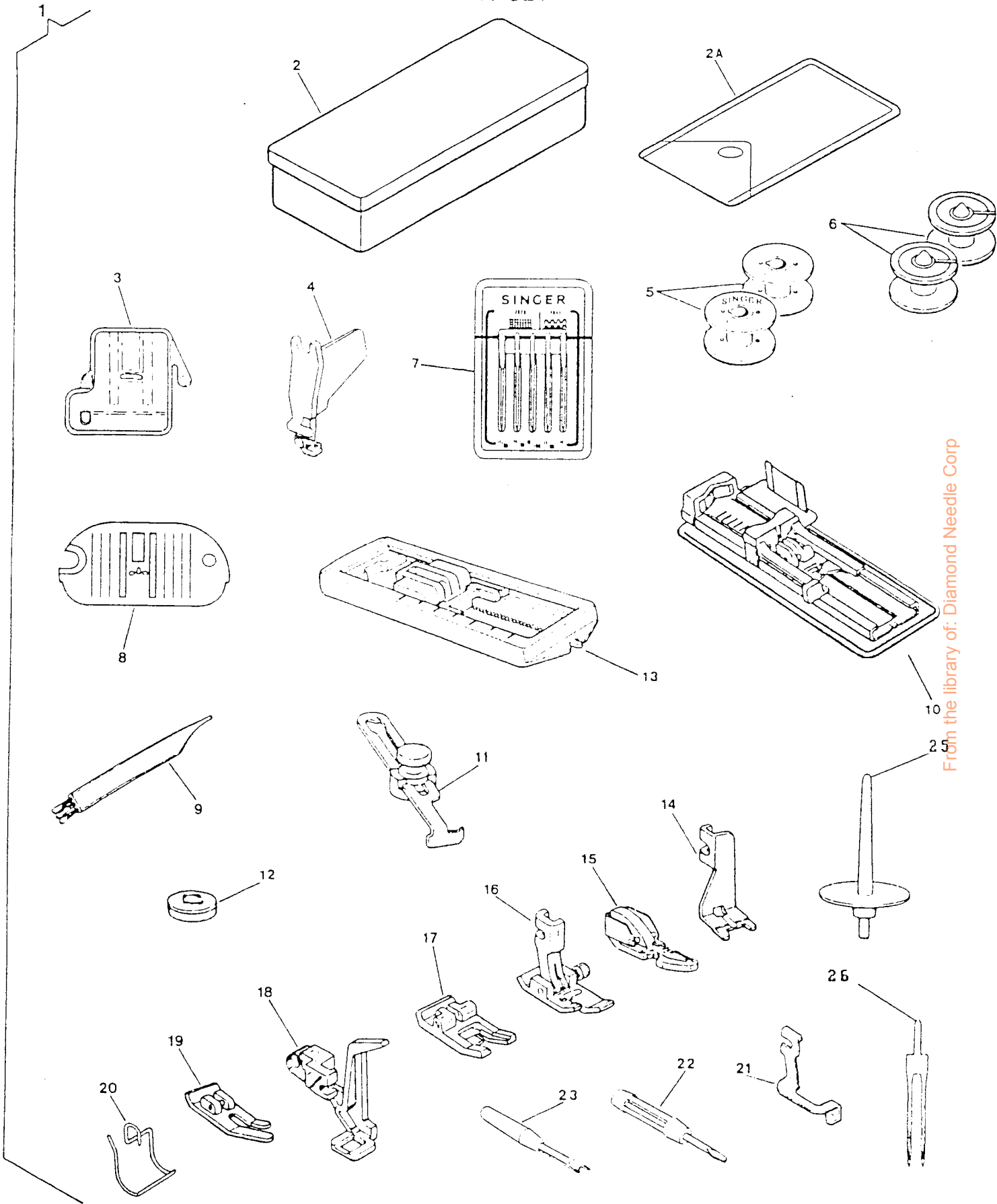
## INDEX

PAGE NO.	SUBASSEMBLY
1 , 2	ATTACHMENT SET
3 , 4	COVERS AND ADD ONS
5 , 8	ARM TOP COVER
9 , 10	ARM SHAFT DRIVE SYSTEM
11, 12	HAND WHEEL
13, 14	COAXIAL PRESSER BAR SYSTEM
15, 16	NEEDLE BAR & THREAD TAKE-UP
17, 18	ALPHA FEED
19, 20	HOOK SYSTEM (APOLLO)
21, 22	HOOK AND BOBBIN WINDING SYSTEM (CENTAUR)
23, 28	PATTERN, STITCH LENGTH CONTROL & CAM CONTROLLED FEED
29, 30	DEMAND RESPONSIVE NEEDLE TENSION SYTEM
31, 34	ELECTRICAL EQUIPMENT

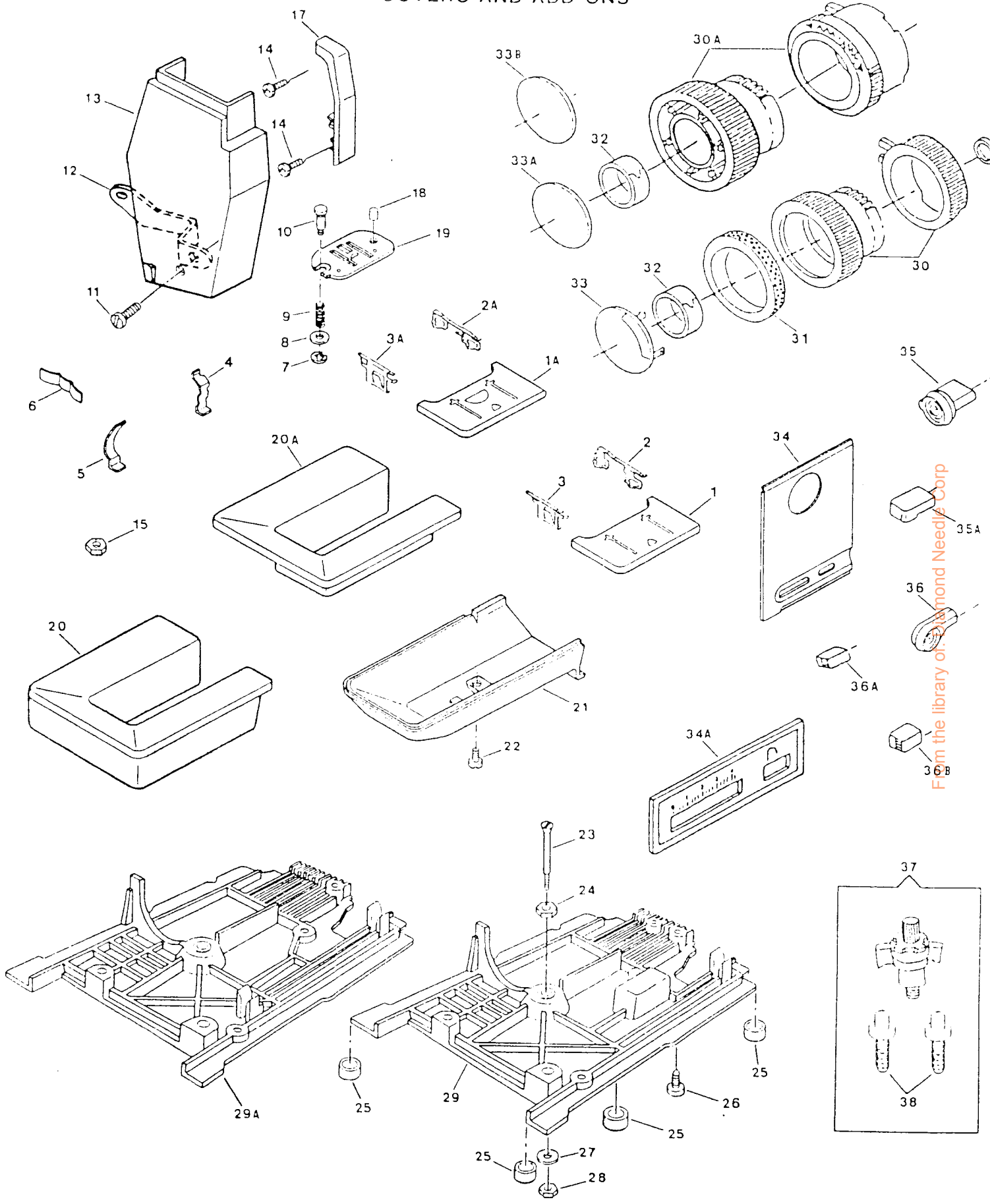
ATTACHMENT SET  
 MODEL: 4622N403, AN503

REF. NO.	PART NO.	DESCRIPTION	N	AN
			4	5
			0	0
			3	3
1	313030-017	ATTACHMENT		X
1	313030-106	ATTACHMENT COMPLETE		X
2A	317396	ACCESSARY BAG	X	X
3	313117	FEED COVER PLATE	X	X
5	172336-001	BOBBIN (APOLLO)	X	X
7	353364	NEEDLE PACK	X	X
9	546358-453	LINT BRUSH	X	X
10	313093-452	BOTTONHOLE PRESSER FOOT (ONE-STEP) COMPLETE		X
13	313992-451	PRESSER FOOT PLATE (4-STEPS) FOR SEWING BUTTONHOLE		X
15	171480	PRESSER FOOT PLATE FOR CORDING AND SLIDE FASTENERS COMPLETE	X	X
17	171463	SPECIAL PURPOSE PRESSER FOOT PLATE	X	X
21	171110	BLINDSTITCH GUIDE	X	X
25	313026-452	TWIN NEEDLE SPOOL PIN	X	
26	N2025-014	TWIN NEEDLE (SIZE 14)	X	

From the library of: Diamond Needle Corp



From the library of: Diamond Needle Corp



From the library of: **Edmond Needles Corp**

COVERS AND ADD ONS  
MODEL: 4622N403, AN503

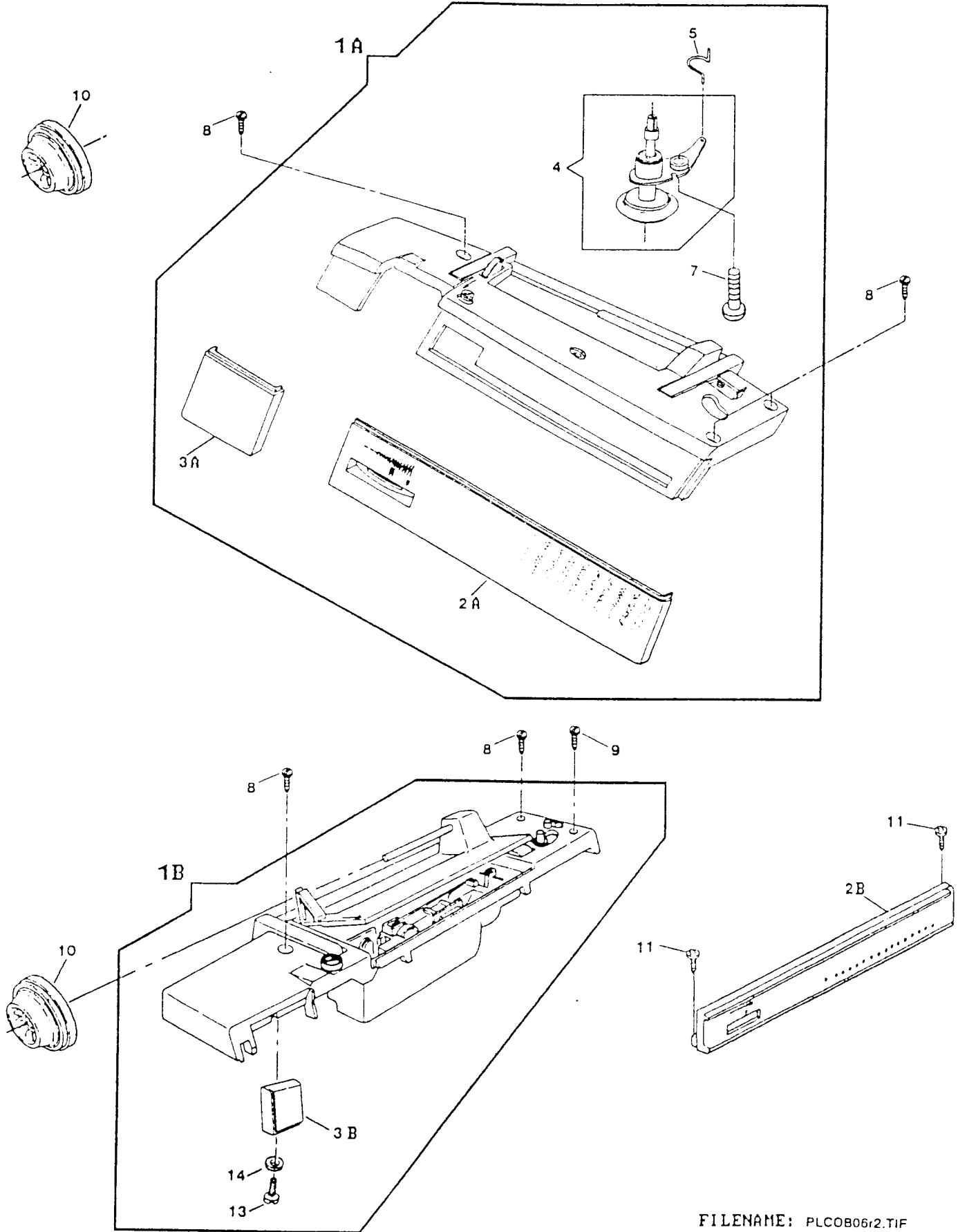
REF. NO.	PART NO.	DESCRIPTION	N	AN
			4	5
			0	0
			3	3
1	314666	BED SLIDE ASSEMBLY COMPLETE (APOLLO)	X	X
2	314669	BED SLIDE SPRING (RIGHT)	X	X
3	314670	BED SLIDE SPRING (LEFT)	X	X
4	313178	BED SLIDE STOP	X	X
5	313179	BED SLIDE STOP SPRING	X	X
6	313118	CLOTH PLATE SPRING	X	X
7	313098	THROAT PLATE POUNGER RETAINING RING	X	X
8	549426-451	THROAT PLATE PUNGER WASHER	X	X
9	312805	THROAT PLATE PLUNGER SPRING	X	X
10	312804	THROAT PLATE PLUNGER	X	X
11	137250-001	FACE PLATE MOUNTING SCREW	X	X
12	317226	FACE PLATE MOUNTING BRACKET	X	X
13	314259-004	FACE PLATE COMPLETE	X	
13	314259-008	FACE PLATE COMPLETE (#3913)		X
14	113470-003	THREAD TAKE-UP COVER MOUNTING SCREW	X	X
15	313049	BED INSERT NUT	X	X
17	137915-005	THREAD TAKE-UP COVER COMPLETE	X	
17	137915-009	THREAD TAKE-UP COVER COMPLETE (#310K)		X
18	314765	THROAT PLATE LOCATING PIN	X	X
19	312777	THROAT PLATE FOR ZIG-ZAG SEWING	X	X
20A	317379-901	CLOTH PLATE	X	X
21	312773-454	BED COVER (TUBULAR)	X	X
22	354633-452	BED COVER (TUBULAR) SCREW	X	X
23	313052-451	BOTTOM COVER MOUNTING BOLT	X	X
24	313173-451	BOTTOM COVER MOUNTING BOLT RETAINING NUT	X	X
25	313909-451	BED LEG CUSHION	X	X
26	113455-002	BED COVER PLATE (BOTTOM) SCREW	X	X
27	314712-451	BOTTOM COVER MOUNTING BOLT WASHER	X	X
28	313177-452	BOTTOM COVER MOUNTING BOLT MOUNTING NUT	X	X
29	312774-001	BED COVER PLATE (BOTTOM)	X	X
30A	314239-452	PATTERN SELECTOR KNOB AND STITCH BALANCE KNOB ASSEMBLY	X	
30A	314239-457	PATTERN SELECTOR KNOB AND STITCH BALANCE KNOB KIT ASSEMBLY		X
32	313535	PATTERN SELECTOR KNOB COMPRESSION RING	X	X
33A	314744-459	PATTERN SELECTOR KNOB TRIM PLATE		X
33A	314744-475	PATTERN SELECTOR KNOB TRIM PLATE	X	
34A	317009-001	STITCH LENGTH CONTROL PANEL		X
34A	317009-023	STITCH LENGTH CONTROL PANEL WITH GRAPHICS	X	
35A	312657-454	REVERSE FEED CONTROL LEVER KNOB (PLASTIC)	X	
35A	312657-457	REVERSE FEED CONTROL LEVER KNOB (PLASTIC)		X
36A	314676-454	BIGHT AMPLITUDE CONTROL LEVER KNOB (PLASTIC)	X	
36A	314676-457	BIGHT AMPLITUDE CONTROL LEVER KNOB (PLASTIC)		X
36B	312664-454	STITCH LENGTH CONTROL LEVER KNOB (PLASTIC)	X	
36B	312664-457	STITCH LENGTH CONTROL LEVER KNOB AND TENSION REGULATION KNOB		X
37	313180	MACHINE HOLD DOWN MOUNTING KIT	X	X
38	148869	MACHINE LOCATOR PIN	X	X



ARM TOP COVER  
MODEL: 4622N403, AN503

REF. PART NO.	PART NO.	DESCRIPTION	N	AN
			4	5
			0	0
			3	3
1A	317027-019	ARM TOP COVER COMPLETE WITH HANDLE	X	
1A	317027-024	ARM TOP COVER COMPLETE WITH HANDLE		X
2A	317197-906	CONTROL PANEL WITH GRAPHICS	X	
2A	317197-907	CONTROL PANEL WITH GRAPHICS		X
3A	314703-904	CONTROL PANEL EXTENSION WITH GRAPHICS		X
3A	314703-974	CONTROL PANEL EXTENSION WITH GRAPHICS	X	
4	137887-001	BOBBIN WINDER ASSEMBLY WITH SHOULDER WASHER	X	
5	312897-001	BOBBIN WINDER LEVER SPRING	X	X
7	354927-004	BOBBIN WINDER LEVER HINGE SCREW	X	X
8	354927-001	ARM TOP COVER MOUNTING SCREW	X	X
10	179967-456	SPOOL PIN THREAD LEAD-OFF	X	
10	179967-461	SPOOL PIN THREAD LEAD-OFF		X

ARM TOP COVER

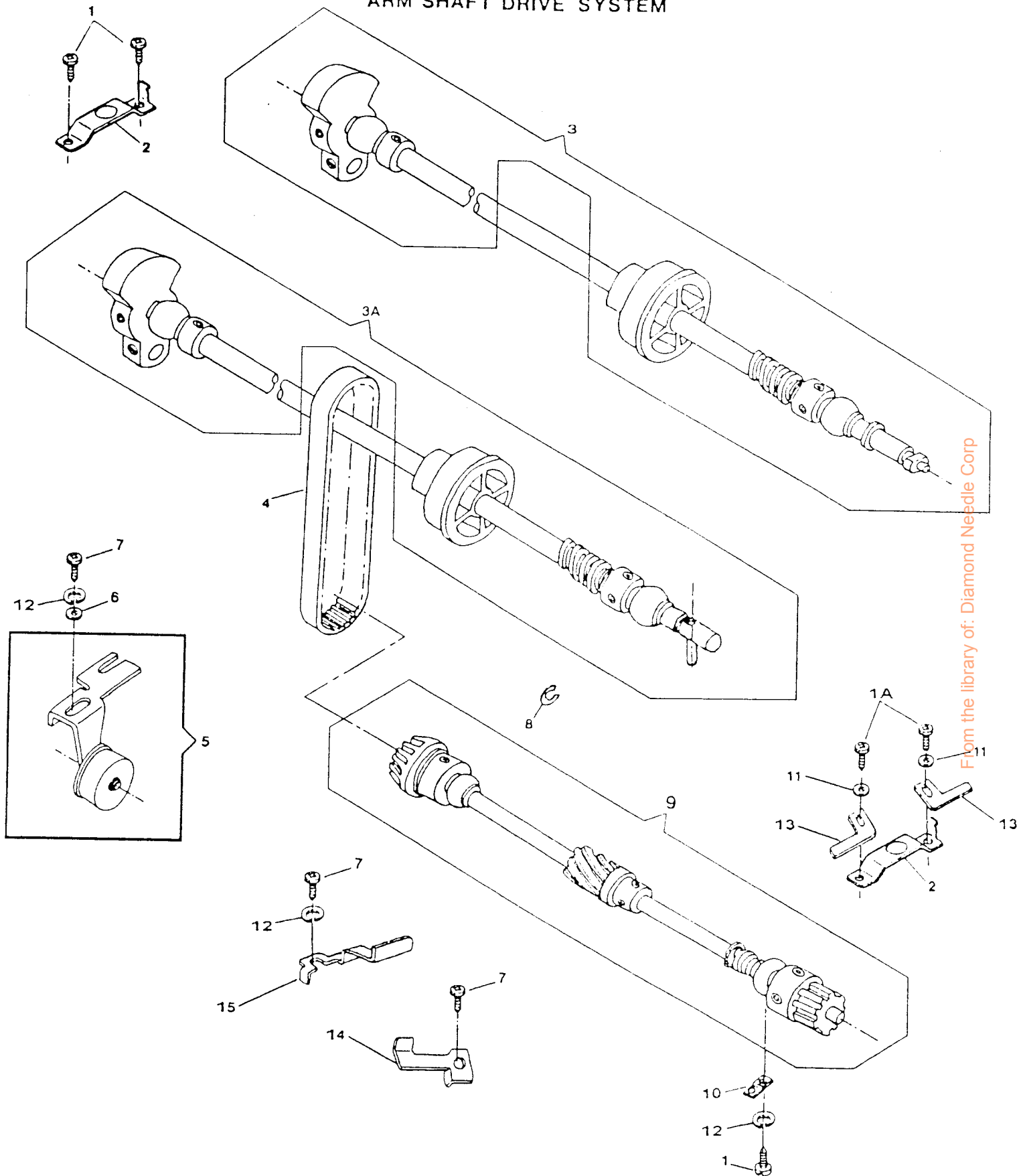


From the library of: Diamond Needle Corp

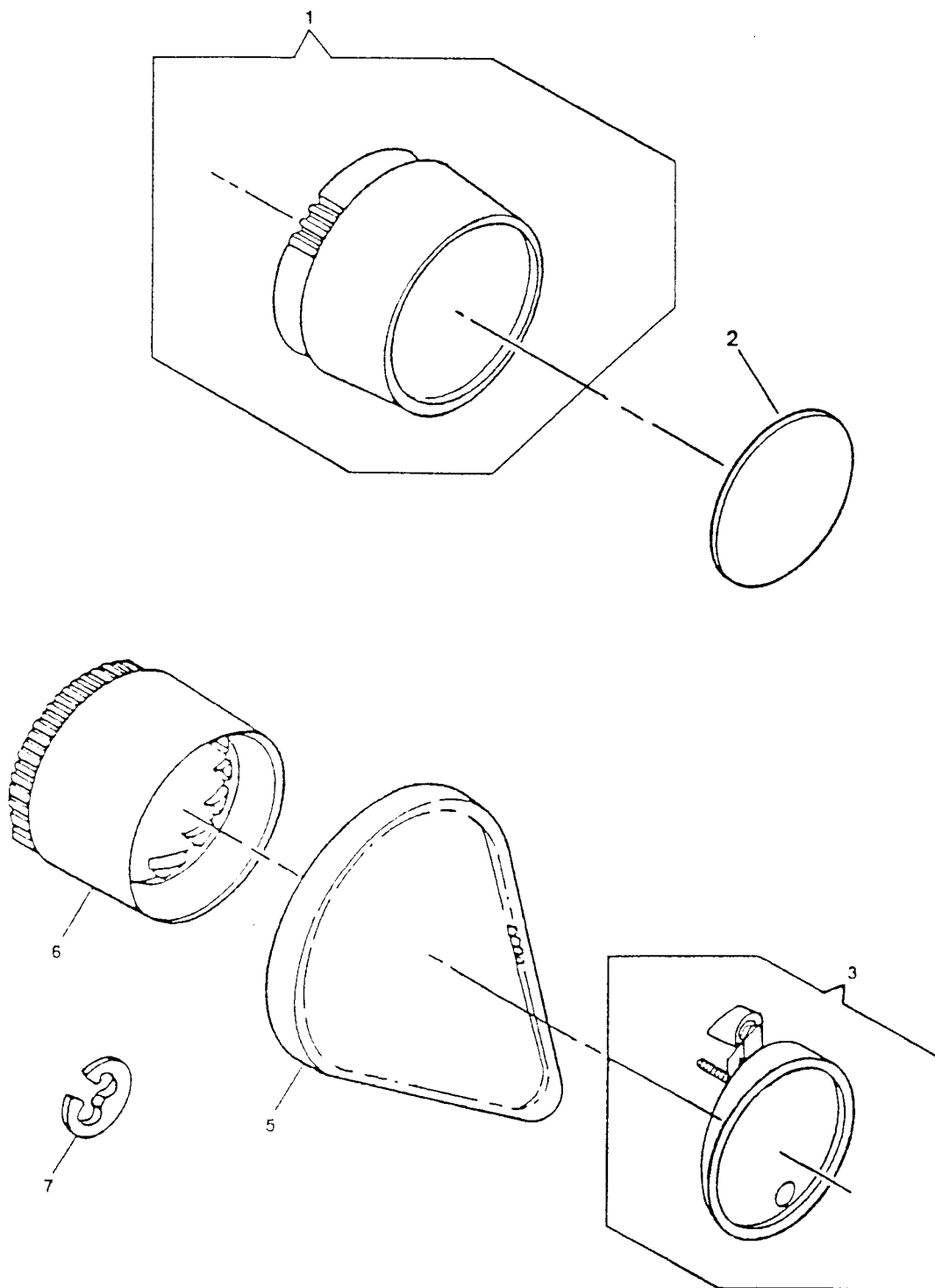
ARM SHAFT DRIVE SYSTEM  
 MODEL: 4622N403, AN503

REF. PART NO.	PART NO.	DESCRIPTION	N	AN
			4	5
			0	0
			3	3
1	113455-002	ARM SHAFT (HORIZONTAL) BUSHING (LEFT) CLAMP SCREW	X	X
1A	113455-004	ARM SHAFT (HORIZONTAL) BUSHING (RIGHT) CLAMP SCREW	X	X
2	312796	ARM SHAFT (HORIZONTAL) BUSHING (LEFG & RIGHT) CLAMP	X	X
3	313111-002	ARM SHAFT ASSEMBLY (APOLLO)	X	X
4	603975-011	BELT (ROTATING HOOK DRIVE) ALT: 603975-012	X	X
5	313195-001	IDLER BRACKET ASSEMBLY	X	X
6	314041-451	ROTATING HOOK DRIVING BELT TENSION ADJUSTER SCREW WASHER	X	X
7	113455-002	ROTATING HOOK DRIVING BELT TENSION ADJUSTER SCREW	X	X
8	313153	HAND WHEEL RETAINING RING	X	X
9	370560	ROTATING HOOK DRIVE SHAFT SUB-ASSEMBLY	X	X
10	313816	ROTATING HOOK DRIVE SHAFT BUSHING (SELF-ALIGNING) CLAMP	X	X
11	316164	WASHER, ROTATING HOOK DRIVE SHAFT BUSHING (SELF-ALIGNING) CLAMP SCREW	X	X
12	314013-451	LOCK WASHER, ROTATING HOOK DRIVING BELT TENSION ADJUSTER SCREW	X	X
13	137873	MOTOR BELT STOP PLATE	X	X
14	137916	ROTATING HOOK BELT SLIP PREVENTION GUARD (LOWER)	X	X
15	137286	ROTATING HOOK BELT SLIP PREVENTION GUARD	X	X

### ARM SHAFT DRIVE SYSTEM



From the library of: Diamond Needle Corp

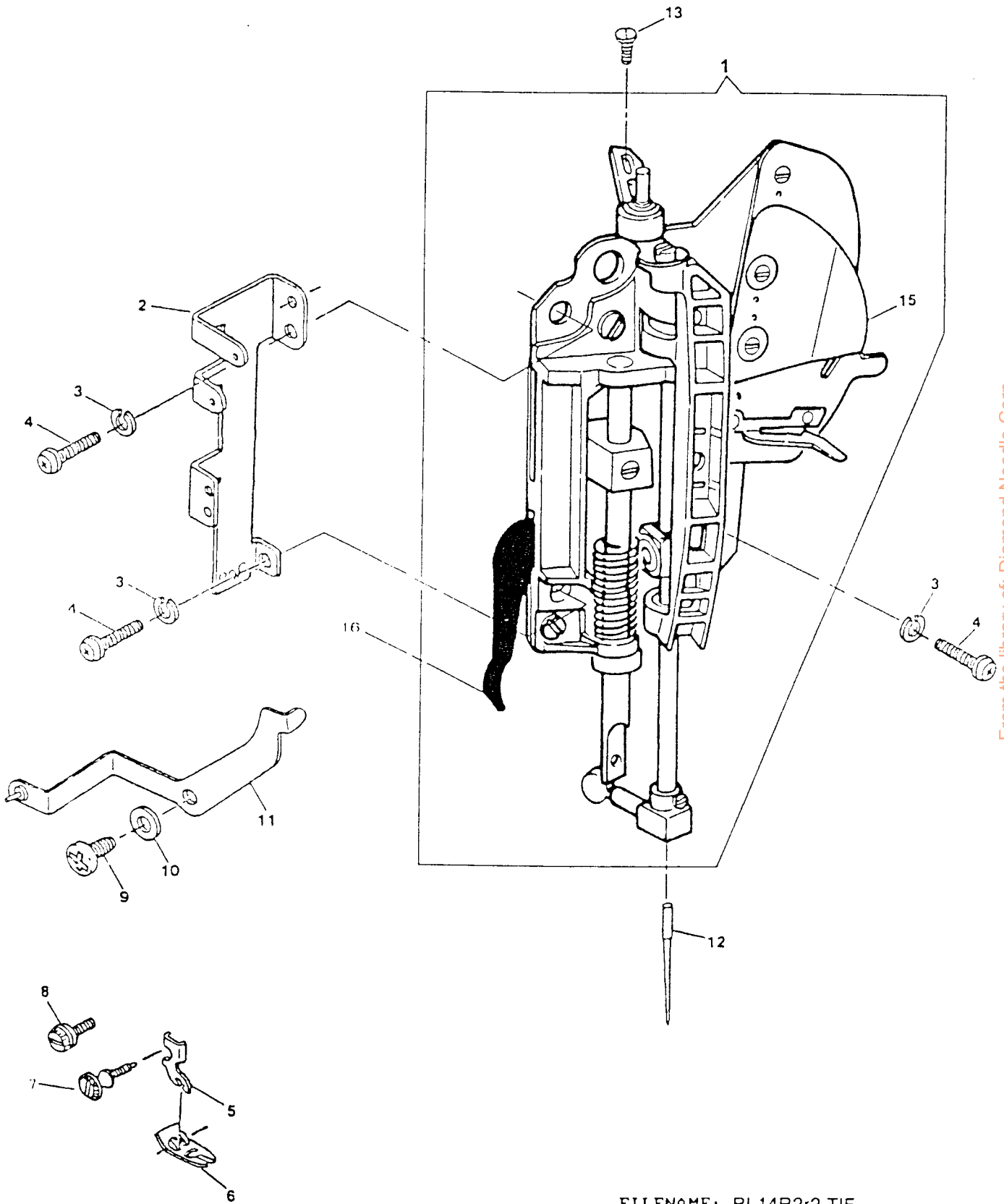


HAND WHEEL  
 MODEL: 4622N403, AN503

REF. PART NO.	PART NO.	DESCRIPTION	N	AN
			4	5
			0	0
			3	3
3	316070-001	HAND WHEEL CLUTCH PLATE ASSEMBLY	X	X
4	314733-950	HAND WHEEL ACCESS PLATE	X	
5	312628-001	BELT (MOTOR DRIVE) ALT: 979285-001	X	X
6	137892-451	HAND WHEEL	X	X
7	313153	HAND WHEEL RETAINING RING	X	X

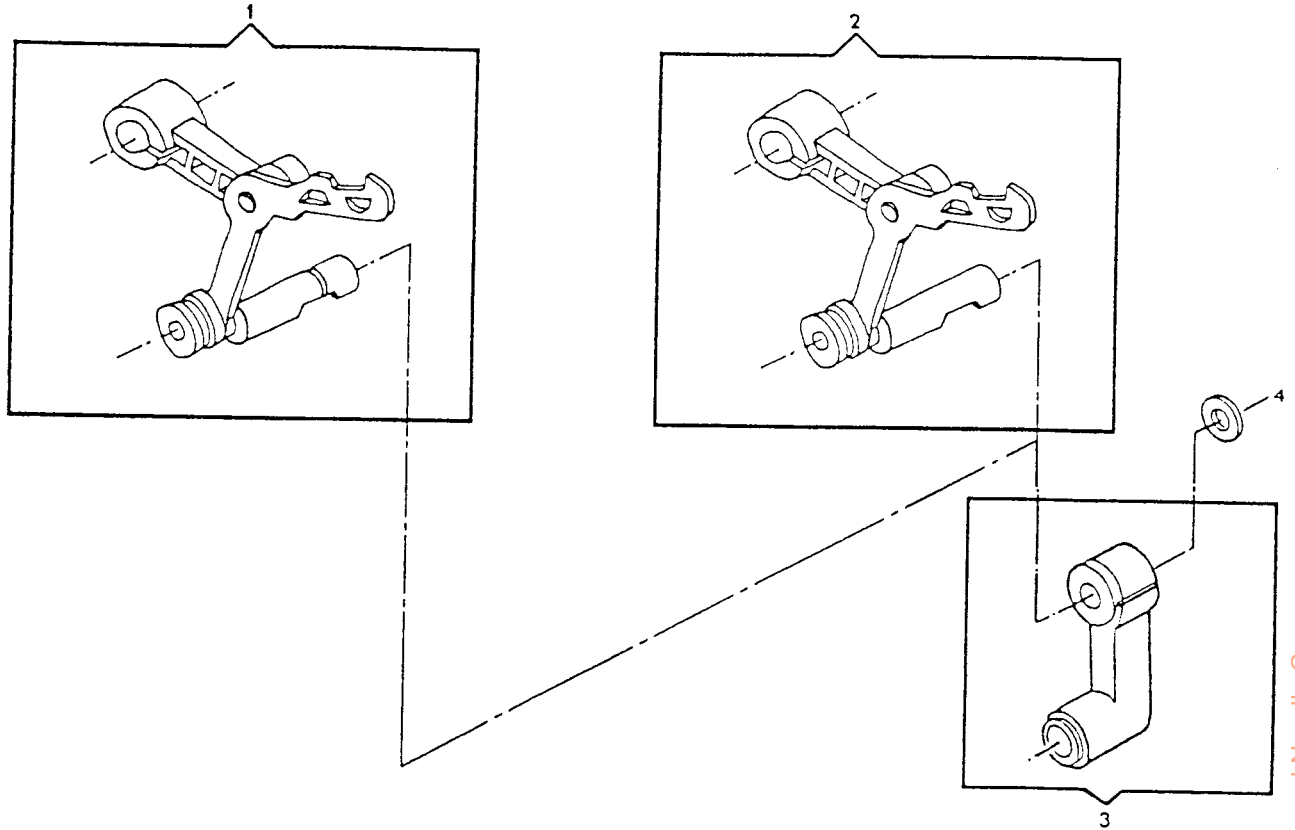
COAXIAL PRESSER BAR SYSTEM  
MODEL: 4622N403, AN503

REF. NO.	PART NO.	DESCRIPTION	N	AN
			4	5
			0	0
			3	3
1	314695-002	HEAD END MODULE (APOLLO)	X	X
2	314591	FACE PLATE MOUNTING BRACKET	X	X
3	313955-451	HEAD END MOUNTING PLATE LOCK WASHER	X	X
4	113455-012	HEAD END MOUNTING PLATE SCREW	X	X
5	163706-451	PRESSER FOOT SHANK (SNAP-ON)	X	X
6	313150	PRESSER FOOT PLATE (SNAP-ON) FOR ZIG-ZAG SEWING	X	X
7	113531-451	PRESSER FOOT THUMB SCREW	X	X
9	113455-001	NEEDLE THREAD TENSION RELEASE LEVER HINGE SCREW	X	X
10	314041-451	NEEDLE THREAD TENSION RELEASE LEVER RETAINING WASHER	X	X
11	314589	NEEDLE THREAD TENSION RELEASE LEVER ASSEMBLY	X	X
12	N2020-014	NEEDLE (SIZE NO.14)		X
12	N2045-014	NEEDLE (SIZE NO. 14) (FOR 9143N254)	X	
13	137813-002	NEEDLE BAR DRIVING ARM BALL JOINT SCREW	X	X
15	314690	THREAD PINCH PLATE	X	X
16	314582	PRESSER BAR LIFTER	X	X



From the library of: Diamond Needle Corp





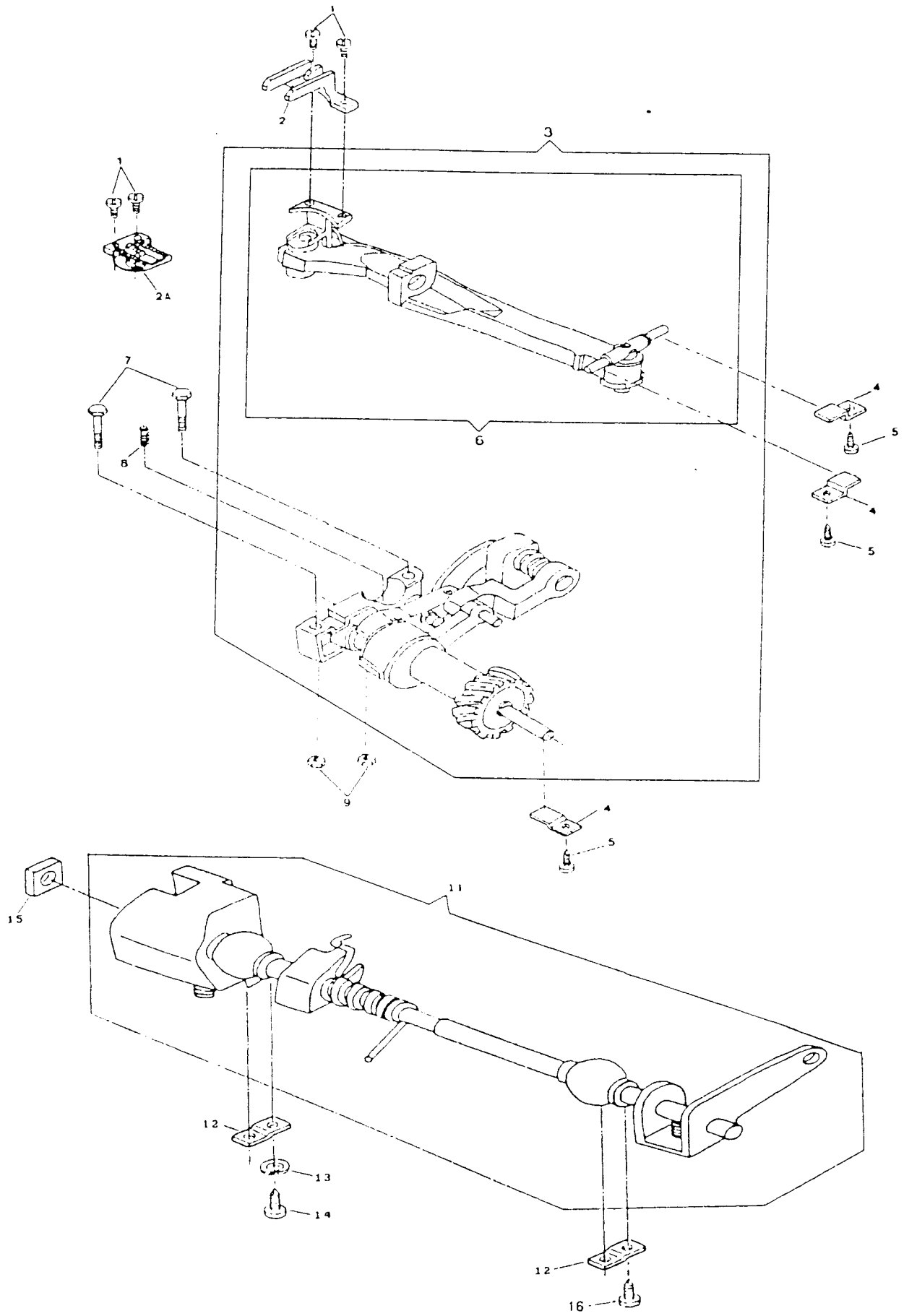
From the library of: Diamond Needle Corp

NEEDLE BAR & THREAD TAKE-UP  
 MODEL: 4622N403, AN503

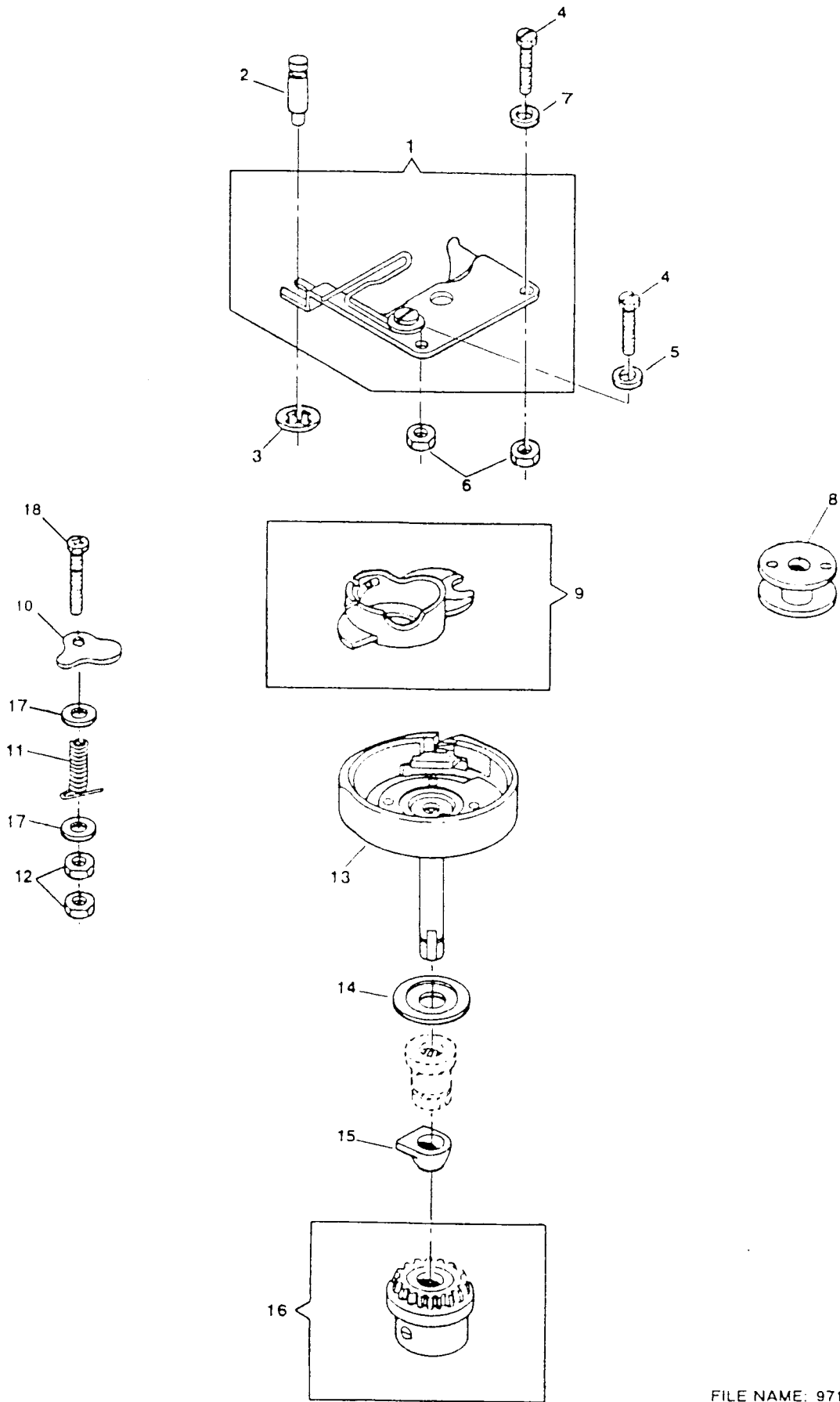
REF. NO.	PART NO.	DESCRIPTION	N	AN
			4	5
			0	0
			3	3
1	314694	THREAD TAKE-UP COMPLETE (APOLLO)	X	X
3	137528-901	NEEDLE BAR CONNECTING LINK	X	X
4	314071	WASHER, THREAD TAKE-UP LEVER	X	X

ALPHA FEED  
MODEL: 4622N403, AN503

REF. NO.	PART NO.	DESCRIPTION	N	AN
			4	5
			0	0
			3	3
1	141920-452	FEED DOG SCREW	X	X
2A	312679	FEED DOG (APOLLO)	X	X
3	313011	ALPHA FEED MODULE	X	X
4	312851	FEED BAR PIVOT HING STUD CLAMP	X	X
5	113455-003	CLAMP SCREW	X	X
6	314141	FEED BAR ASSEMBLY	X	X
7	354921-451	FEED & ROTATING HOOK DRIVE SHAFT BEARING BLOCK SCREW	X	X
8	314070	ROTATING HOOK DRIVE SHAFT BUSHING SPRING	X	X
9	514674-451	FEED & ROTATING HOOK DRIVE SHAFT BEARING BLOCK MOUNTING SCREW NUT	X	X
11	313133	FEED REGULATOR SHAFT ASSEMBLY	X	X
12	313816	FEED REGULATOR SHAFT BUSHING (SELF-ALIGNING) CLAMP	X	X
13	314013-451	FEED REGULATOR SHAFT BUSHING (SELF-ALIGNING) CLAMP SCREW LOCK WASHER	X	X
14	113455-001	FEED REGULATOR SHAFT BUSHING (SELF-ALIGNING) CLAMP SCREW	X	X
15	511030	FEED REGULATOR SLIDE BLOCK	X	X
16	113455-002	FEED REGULATOR BUSHING (SELF-ALIGNING) CLAMP SCREW (RIGHT)	X	X



From the library of: Diamond Needle Corp



HOOK SYSTEM (APOLLO)  
 MODEL: 4622N403, AN503

REF. NO.	PART NO.	DESCRIPTION	N	AN
			4	5
			0	0
			3	3
1	313089	ROTATING HOOK BOBBIN CASE POSITION PLATE ASSEMBLY	X	X
2	312603	ROTATING HOOK BOBBIN CASE POSITION PLATE HOLD DOWN STUD	X	X
3	313161	ROTATING HOOK BOBBIN CASE POSITION PLATE HOLD DOWN STUD RETAINER	X	X
4	113439-451	ROTATING HOOK BOBBIN CASE POSITION PLATE SCREW	X	X
5	313190-451	ROTATING HOOK BOBBIN CASE POSITION PLATE SCREW WASHER	X	X
6	313945-451	ROTATING HOOK BOBBIN CASE POSITION PLATE SCREW NUT	X	X
7	446138	ROTATING HOOK BOBBIN CASE POSITION PLATE SCREW WASHER (RIGHT)	X	X
8	172336-001	ROTATING HOOK BOBBIN (PLASTIC)	X	X
9	421325	ROTATING HOOK BOBBIN CASE COMPLETE	X	X
10	313395-900	ROTATING HOOK BOBBIN CASE RETAINING PLATE SUB-ASSEMBLY	X	X
11	44892	ROTATING HOOK BOBBIN CASE RETAINING PLATE STUD SPRING	X	X
12	514674-451	ROTATING HOOK BOBBIN CASE RETAINING PLATE STUD RETAINING RING	X	X
13	447926-932	ROTATING HOOK COMPLETE	X	X
14	314049-001	ROTATING HOOK FLANGED BUSHING THRUST WASHER	X	X
15	312847	ROTATING HOOK FLANGED BUSHING WASHER	X	X
16	314012	ROTATING HOOK BEVEL GEAR COMPLETE	X	X
17	931929-004	WASHER, BOBBIN CASE RETAINING	X	X
18	137315-453	ROTATING HOOK BOBBIN CASE RETAINING PLATE SCREW	X	X

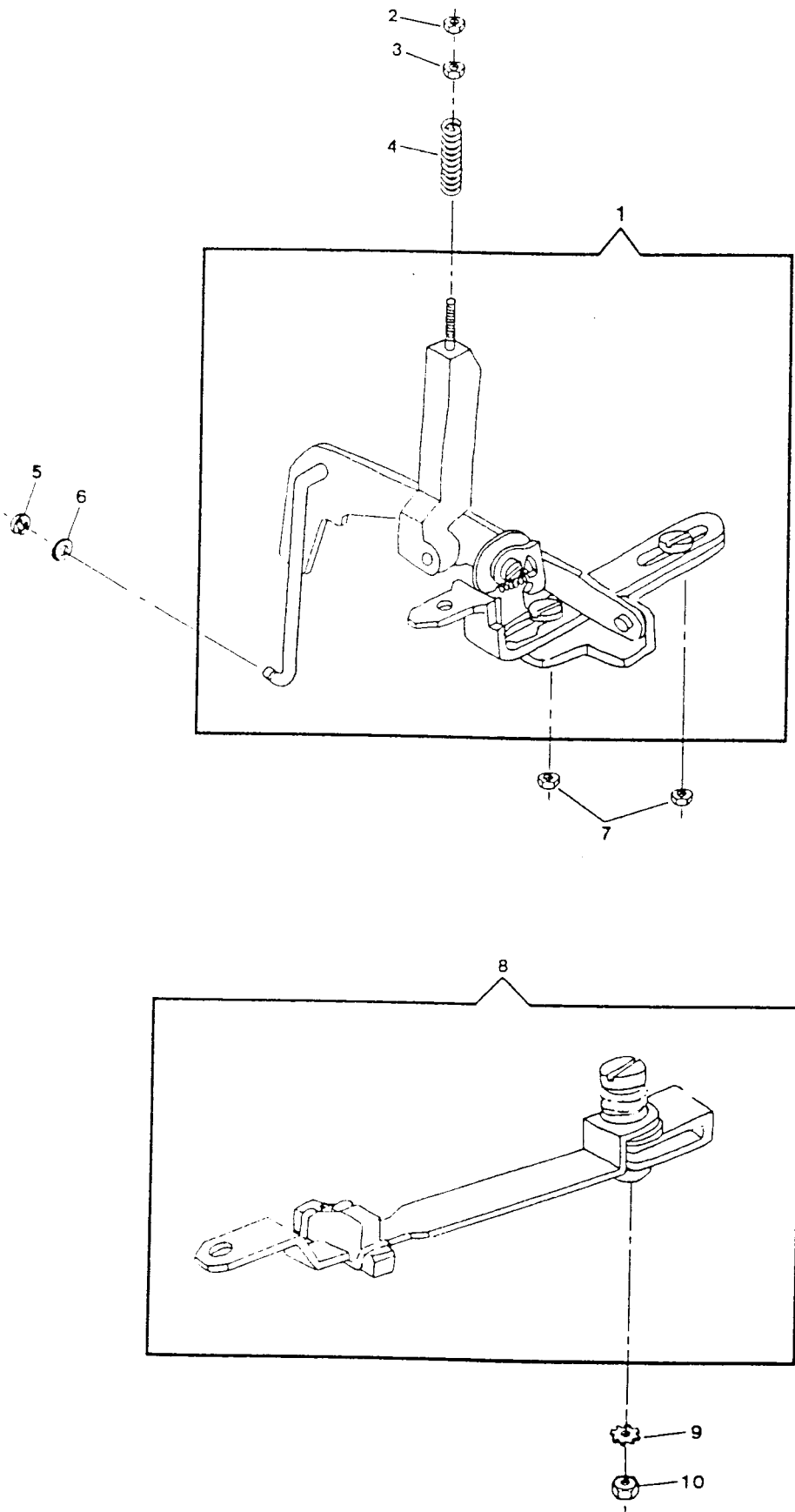
From the library of: Diamond Needle Corp



PATTERN, STITCH LENGTH CONTROL & CAM CONTROLLED FEED  
 MODEL: 4622N403, 4622AN503

REF. PART NO.	PART NO.	DESCRIPTION	N	AN
			4	5
			0	0
			3	3
1	314732-003	PATTERN SELECTOR MODULE		X
1	317407-001	PATTERN SELECTOR MODULE	X	
2	113455-001	DISCSELECTOR MECHANISM MOUNTING PLATE SCREW (LEFT AND RIGHT)	X	X
3	314013-451	DISC SELECTOR MECHANISM MOUNTING PLATE SCREW (LEFT AND RIGHT)	X	X
4	314607-003	BIGHT AMPLITUDE CONTROL LEVER ASSEMBLY	X	X
5	113455-001	BIGHT AMPLITUDE CONTROL LEVER STOP ADJUSTMENT SCREW	X	X
6	314683	BIGHT AMPLITUDE CONTROL LEVER RETAINER	X	X
7	353457	BIGHT AMPLITUDE CONTROL LEVER FRICTION WASHER	X	X
8	314611	BIGHT AMPLITUDE CONTROL LEVER SHOULDER WASHER	X	X
9	137813-002	BUTTONHOLE ACTUATOR CAM ADJUSTING BRACKET SCREW		X
10	137450	BUTTONHOLE ACTUATOR CAM ADJUSTING BRACKET		X
11	313022	BUTTONHOLE FOLLOWER HUB RELEASE		X
12	313023	BUTTONHOLE FOLLOWER HUB RELEASE PIN		X
13	313025	BUTTONHOLE ACTUATOR CAM		X
14	313799-001	BUTTONHOLE ACTUATOR ADJUSTING ROD SPRING		X
15	313005	BUTTONHOLE DISC CONTROL CATCH RELEASE LINK		X
16	314763-451	BUTTONHOLE TRIPPING ROD ADJUSTING & LOCKING NUT		X
17	312982	BUTTONHOLE TRIPPING LEVER ROD		X
18	312994-002	BUTTONHOLE KICK-OUT TRIPPING ROD LEVER ASSEMBLY		X
19	354877-451	BUTTONHOLE PIVOT LEVER SCREW		X
20	313392	BUTTONHOLE LEVER PIVOT		X
21	312685	BUTTONHOLE KICK-OUT SHAFT TRIPPING LEVER RETAINING RING		X
22	314497	NEEDLE BAR DRIVING ARM SLIDE POSITIONING SPRING		X
26	314497	NEEDLE BAR DRIVING ARM SLIDE POSITIONING SPRING	X	
35	137407	ARM SHAFT BELT SLIP PREVENTION GUARD	X	X
36	113455-002	SCREW, ARM SHAFT BELT SLIP PREVENTION GUARD	X	X
37	314606	BIGHT AMPLITUDE CONTROL ROD RETAINING RING	X	X





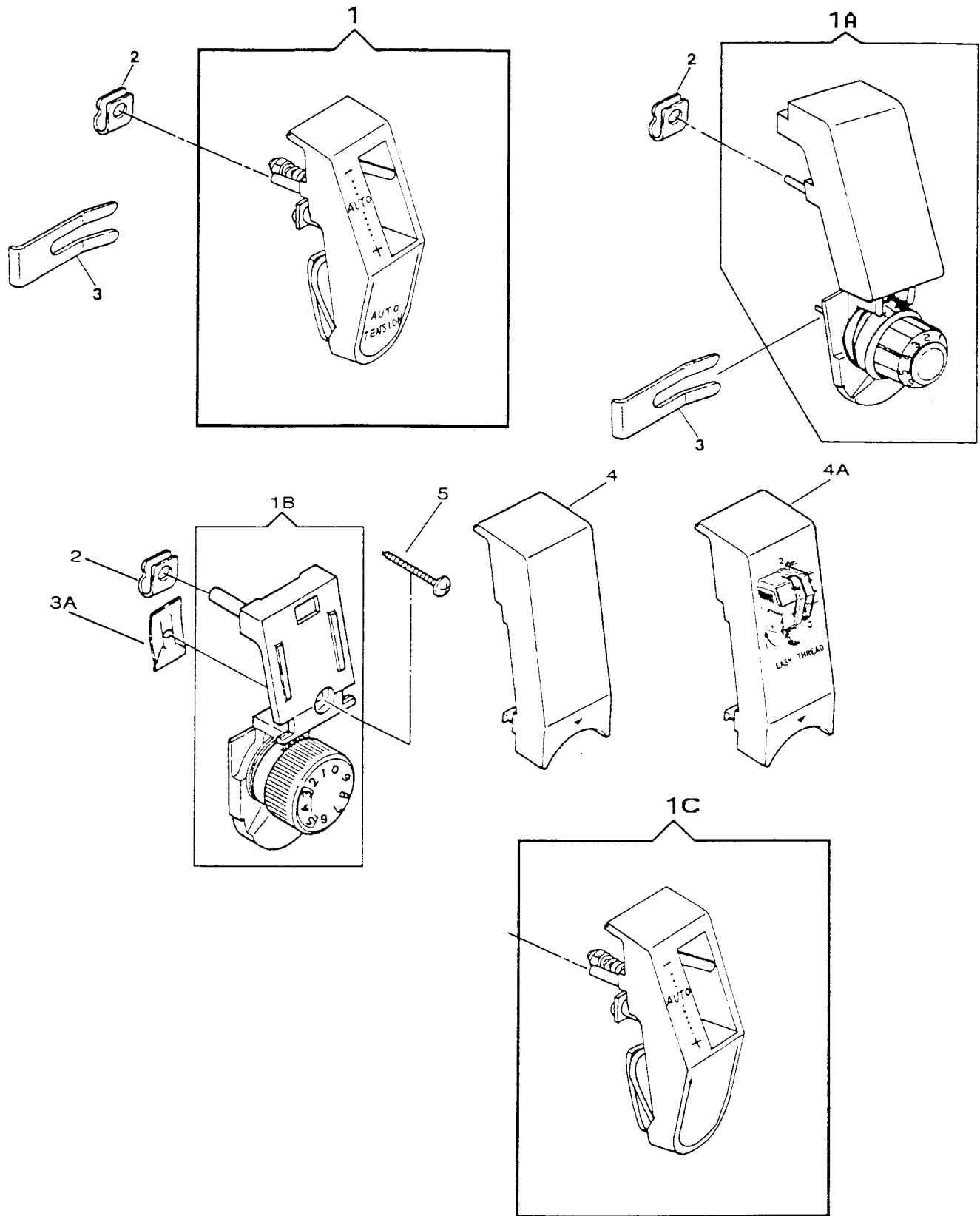
From the library of: Diamond Needle Corp

PATTERN, STITCH LENGTH CONTROL & CAM CONTROLLED FEED (COIN.)  
 MODEL: 4622N403, AN503

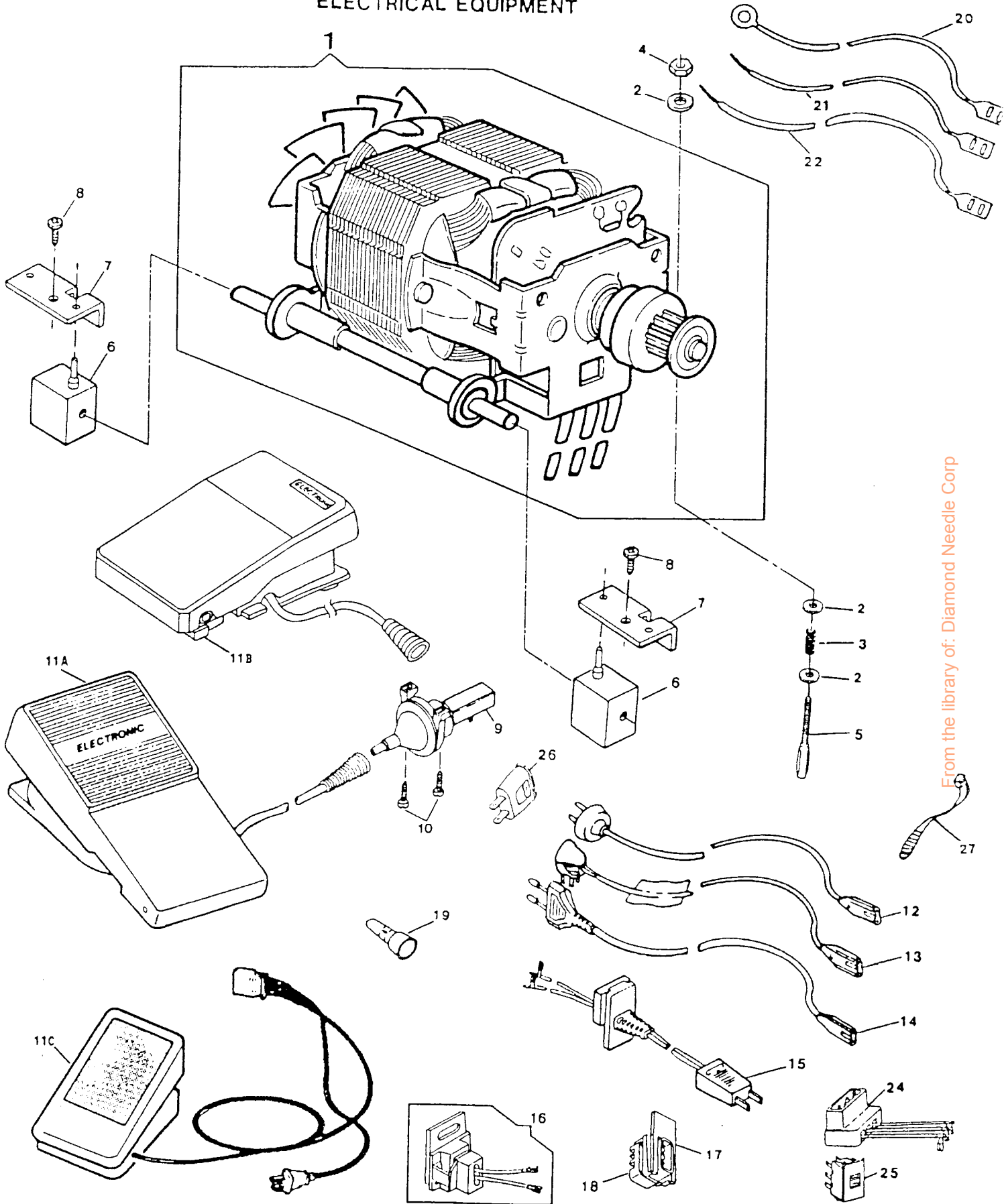
REF. NO.	PART NO.	DESCRIPTION	N	AN
			4	5
			0	0
			3	3
1	314300-001	FEED REVERSE MECHANISM	X	X
2	514674-451	CAM CONTROLLED FEED CONNECTING ROD LOCKING NUT	X	X
3	312645-451	CAM CONTROLLED FEED DISC FOLLOWER ACTUATOR CONNECTING ROD ADJUSTING	X	X
4	313143	CAM CONTROLLED FEED DISC FOLLOWER ACTUATOR CONNECTING ROD SPRING	X	X
5	312702	FEED LEVER CONNECTING LINK RETAINING RING	X	X
6	313891	CAM CONTROLLED FEED CONNECTING ROD STABILIZING WASHER	X	X
7	514674-451	REVERSE FEED CONTROL LEVER GUIDE SCREW NUT	X	X
8	313569-001	STITCH LENGTH CONTROL LEVER ASSEMBLY	X	X
9	314712-451	STITCH LENGTH CONTROL LEVER PIVOT LOCK WASHER	X	X
10	313177-451	STITCH LENGTH CONTROL LEVER NUT	X	X

DEMAND RESPONSIVE NEEDLE TENSION SYSTEM  
 MODEL: 4622N403, AN503

REF. PART NO.	PART NO.	DESCRIPTION	N	AN
			4	5
			0	0
			3	3
1A	317383-900	THREAD TENSION MODULE	X	
1C	137884-030	THREAD TENSION MODUEL (AUTO)		X
2	313199	TENSION COVER MOUNTING RETAINER	X	X
3	313047-451	TENSION COVER RETAINING CLIP	X	X



From the library of: Diamond Needle Corp



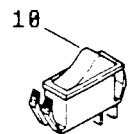
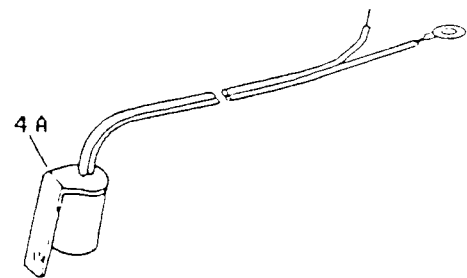
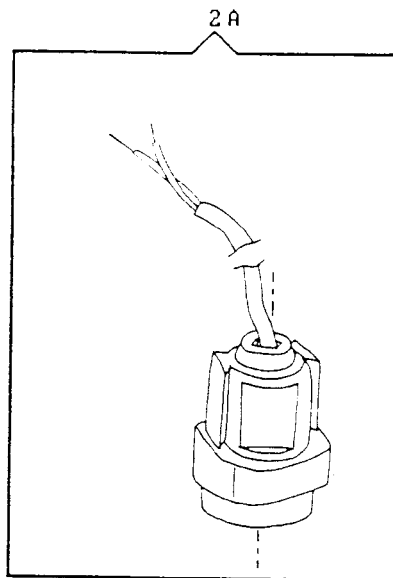
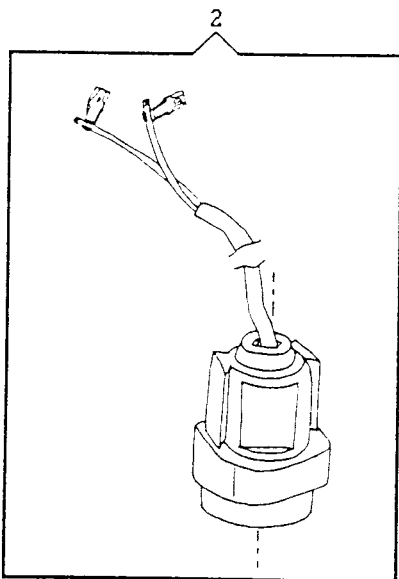
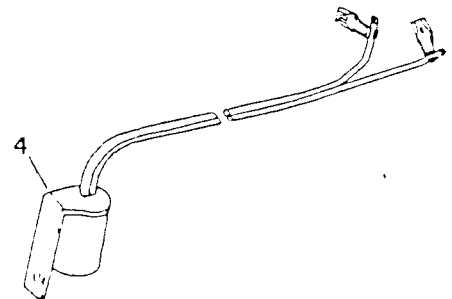
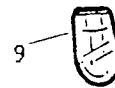
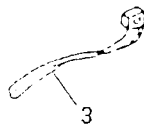
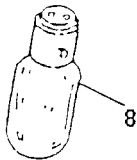
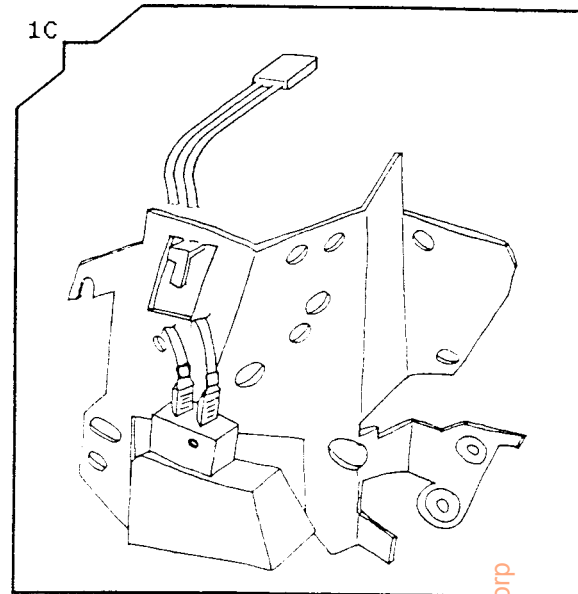
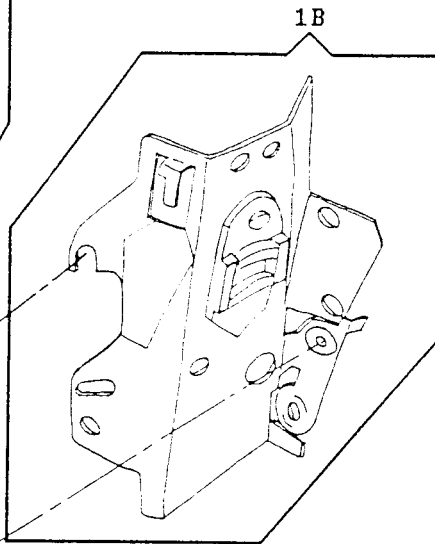
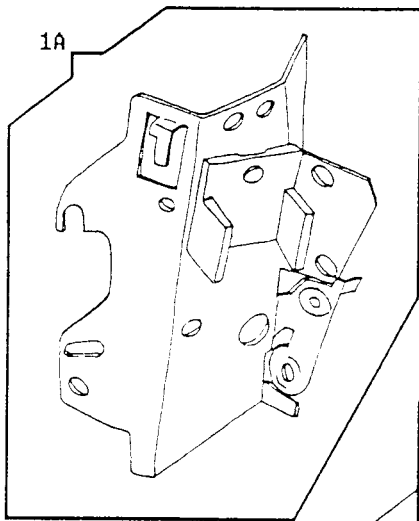
From the library of: Diamond Needle Corp

ELECTRICAL EQUIPMENT  
 MODEL: 4622N403, AN503

REF. NO.	PART NO.	DESCRIPTION	N	AN
			4	5
			0	0
			3	3
1	317352-002	MOTOR COMPLETE (120V CARBON PILE)	X	X
2	37969	MOTOR ADJUSTING STUD NUT WASHER	X	X
3	314058-001	MOTOR BELT TENSION SPRING	X	X
4	53646	MOTOR ADJUSTING STUD NUT	X	X
5	988653-003	MOTOR ADJUSTING STUD	X	X
6	979329-001	RESILIENT MOUNT	X	X
7	988651-001	CLIP	X	X
8	113470-004	MOTOR MOUNTING SCREW	X	
11C	<del>319003-001</del>	TRIAC CONTROLLER (120V, SPT-2)		X
<del>11C</del>	<del>319003-003</del>	TRIAC FOOT CONTROLLER ASSEMBLY (UL)		X
11C	319003-006	TRIAC FOOT CONTROLLER COMPLETE (CSA, FOR CANADA ONLY)	X	X
17	317374-901	HOLDER (120V)	X	X
18	317421-001	RECEPTACLE (120V)	X	X
19	317355	WIRE CONNECTOR	X	X
20	317356-004	LEAD (A) W/TERMINAL ASSEMBLY (220-240V)	X	X
21	317356-009	LEAD (B) W/TERMINAL ASSEMBLY	X	X

ELECTRICAL EQUIPMENT (CONT.)  
 MODEL: 4622N403, AN503

REF. PART NO.	PART NO.	DESCRIPTION	N	AN
			4	5
			0	0
			3	3
1B	314823-003	LINT AND HEAD SHIELD ASSEMBLY (120V)	X	X
4A	317397-902	LAMP SOCKET ASSEMBLY (120V, DOUBLE INSULATION)	X	X
5	113470-003	THREAD TAKE-UP COVER AND LINT/HEAT SHIELD SCREW	X	X
7	137813-002	SCREW, LINT AND HEAT SHIELD MOUNTING	X	X
8	194120-019	LIGHT BULB (120V)	X	X
10	979585-911	ROCKER SWITCH	X	
10	979585-207	ROCKER SWITCH (#3913)		X



From the library of: Diamond Needle Corp